

Solar Argos/GPS 70g PTT

Microwave Telemetry, Inc.
8835 Columbia 100 Pkwy, Suites K & L
Columbia, MD 21045
USA



SENSORS

The Solar Argos/GPS 70g PTT includes sensors to measure temperature, battery voltage, and activity. A multi-channel GPS receiver calculates position, altitude, course, and speed.

GENERAL ELECTRICAL SPECIFICATIONS

Operating frequency: 401.650 MHz \pm 36 kHz
Power output: 200 mW output is standard***
Output impedance: 50 ohms
Modulation tri-phase PSK: \pm 1.1 Rad \pm 0.1 Rad
Quiescent current: <3 μ A
Spurious emissions: -45 dB
Transmission interval: 60 seconds[†]
Supply voltage: 3.6–4 volts
Operating temperature range: -15–45°C

* Neoprene pad not included.

** Matte finish does not apply to the polycarbonate window covering the solar array.

PHYSICAL SPECIFICATIONS*

Dimensions: Length 3.82 in (9.70 cm) x Width 1.51 in (3.84 cm) x Height 0.98 in (2.49 cm)

Weight: ~63 grams

Antenna: Hard nylon-coated flexible stranded marine-grade stainless steel, 7.00 in (17.78 cm) long, protruding from the back edge of the transmitter 45° to the bottom face

FEATURES

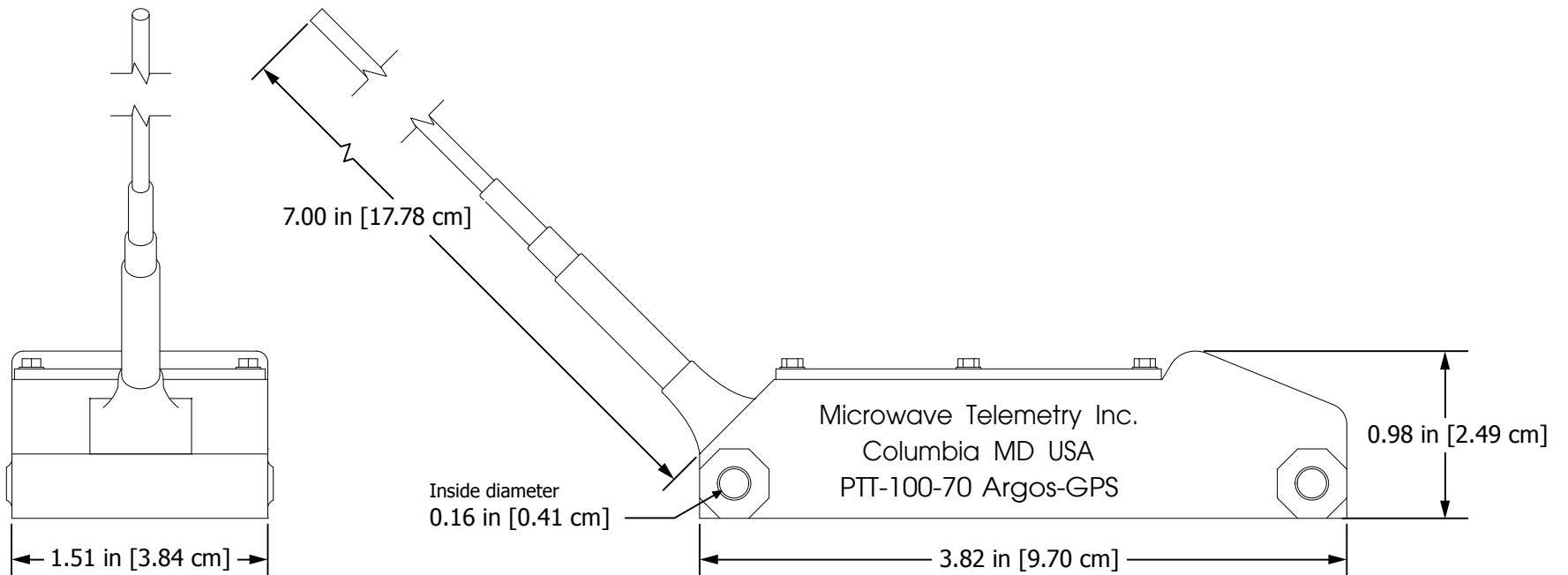
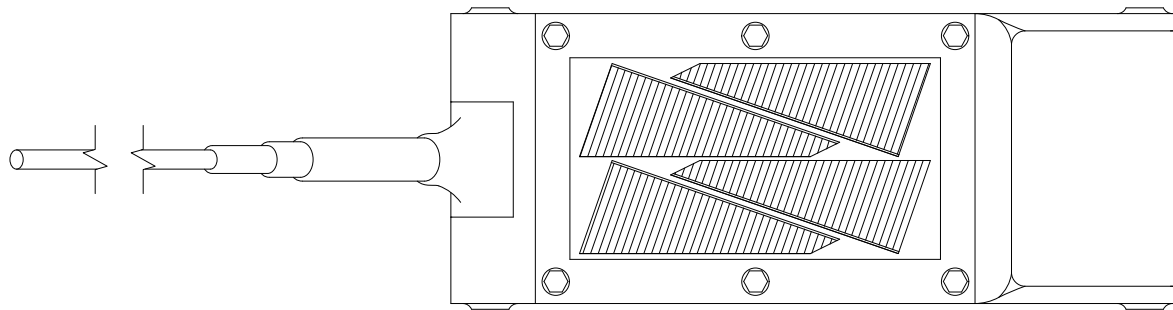
- Solar-powered, rechargeable battery
- Microprocessor-controlled power management
- Internal multi-channel micro-power GPS receiver
- SBAS capable (WAAS, EGNOS, and QZSS)
- GPS horizontal accuracy \pm 18 m
- GPS vertical accuracy \pm 22 m
- Programmable with up to 5 duty cycle seasons
- Dual solar arrays for faster charging
- SiV™ Technology
- Embedded CRC checksum with bit error detection
- Optional 2D Firmware
- Optional Seasonal GT™ and Mortality GT™
- Optional "auxiliary battery assist" or "GT™ backup battery"
- Configured for backpack attachment via harnessing tubes (with standard neoprene cushioning pad)
- Reinforced antenna base
- Alternative color and matte** finish options available
- Operating lifetime up to 3 years

CONSTRUCTION

The housing is constructed from a lightweight glass-reinforced epoxy composite material with a contiguous interior metal-plated coating. The unit is hermetically sealed with a metal-to-metal solder joint providing stability during changes in temperature and humidity. The solar array is encapsulated in silicone and covered with a polycarbonate window for added durability.

*** Adjustable between 100–500 mW.

[†] Can be optimized for your requirements at time of manufacture.



| | |
|-----------------------------|-----------|
| © Microwave Telemetry, Inc. | |
| Solar Argos/GPS 70g PTT | |
| 10-01-2018 | Scale 1:1 |